

SINGLE ABSOLUTE ENCODER



- Solid shaft absolute encoder, Shaft 10mm
- ST - Resolution up to 23 Bit, Interfaces: SSI or BISS
- Robustness and excellent resistance to shocks / vibrations
- High protection level IP65, IP66 option with a sealing flange
- High performances in temperature -35°C - 115°C
- Integrated diagnostic system

ELECTRICAL CHARACTERISTICS

Power supply	5 – 30Vdc
Interface	SSI or BISS
Current load	120 mA
Resolution singleturn	13-22Bit (23 Bit on request)
Outout code	Binary, Gray
Accuracy	Up to ± 20"
Drives	Clock and Data
Frequency	500 kHz
EMC	EN61000-6-4, emitted interference ,EN 61000-6-2, nosie immunity

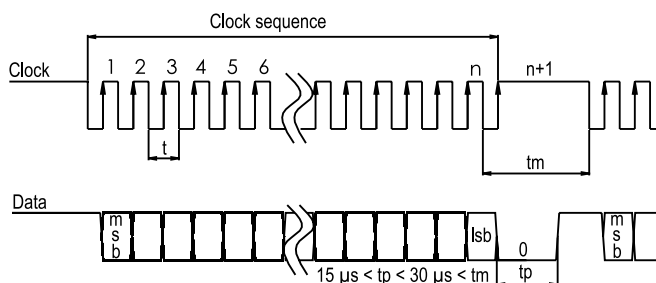
MECHANICAL CHARACTERISTICS

Material housing	Aluminum
Housing diameter	58 mm
Shaft	10 mm
Flange	Clamping or Synchro flange
Maximum number of revolutions permitted mechanically	4800 rpm
Starting Torque	25 N.cm
Maximum load permitted on shaft	Axial 30 N, Radial 100 N
Protection	IP 65 or IP66
Operating Temperature	-35°...+115° C
Storage Temperature	-35°...+115° C
Shock resistance	100 m/s ² (10..1000Hz) (EN 60068-2-6)
Vibration resistance	1000 m/s ² (6ms) (EN60068-2-27)
Weight	600g

CONNECTION AND OUTPUT SIGNALS

Signal	Cable	CC M12pin
Clock -	Yellow	1
Clock +	Green	2
Data +	Grey	3
Data -	Pink	4
Direction	Red	5
+Ub= 10-30V	Brown	8
GND	White	11
Preset	Black	12
Shielding	shielding	housing

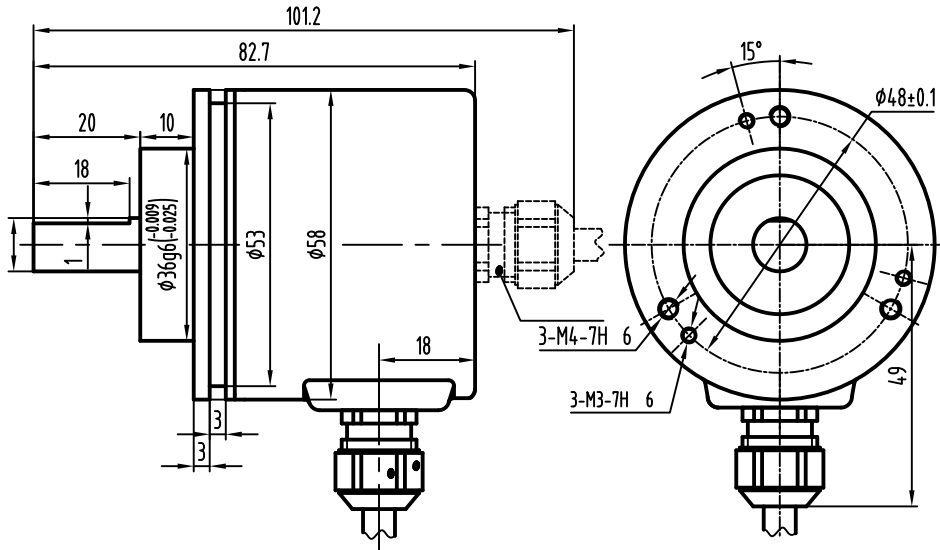
SSI TRANSMISSION



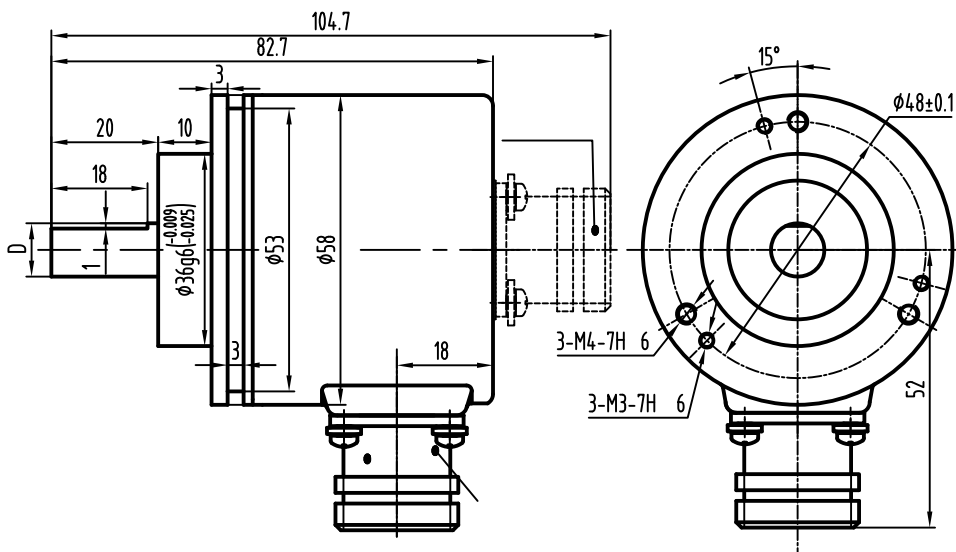
SINGLE ABSOLUTE ENCODER

MECHANICAL DRAWINGS

Clamp Flang (s) Cable exit 1m



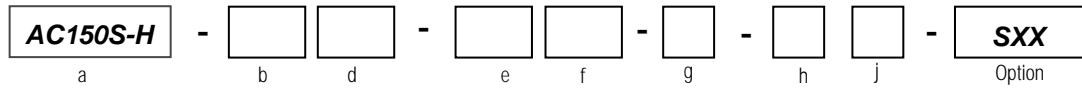
Clamp Flang 12 pol.Connector



Dimensions in mm

SINGLE ABSOLUTE ENCODER

ORDERING CODE



a Series

Absolute Encoder

b Shaft Type/ Flange

2C=Solid shaft, Clamp

2S=Solid shaft, Synchro

d Shaft size

Solid Shaft: 8,10 mm

e Power Supply

5 = 5-30 V

f Interface

SG = SSI, Gray

SB = SSI, Binary

g Nb of Turns / Resolution

0013 0016 0020

0021 0022 Option

h Connector Location

1=Axial

2=Radial

j Connection

6= 1m Cable (standard)

8= M23 Connector