

ABSOLUTE ENCODER

- Solid shaft 6 and 10mm, Blind Hollow shaft / Hub Shaft 6mm
- Robustness and excellent resistance to shocks / vibrations
- High protection level IP54, IP65 option with a sealing flange
- Isolated SSI interface, clock from 100 to 500 kHz
- Universal electronic circuits from 5 to 30Vdc
- Protection against short-circuits and inversion of polarity
- High resolutions available: 65 536 (16bits) , Turn counting up to 65536 (16 bits)



ELECTRICAL CHARACTERISTICS

Power supply	5 – 30Vdc
SSI Clock Input	Via Opto-Coupler
SSI Date Output	Line-driver according to RS422
Clock Frequency	100kHz .. 2MHz
Turn on Time	< 1 s
Internal Cycle Time	< 1 μ s
Power consumption	Typical 0.25 w
Single-Turn Technology	\pm 0.35°
MTBF Time According to	> 3x10 ⁶ h @ T = 40°C
Data Retention Time	1.25x10 ⁶ h @ T = 35°C
Single-Turn Technology	Magnetic 2 Axis Hall Sensor
Multi-Turn Technology	Self Powered Magnetic Pulse Counter (Wiegand Sensor)
EMC	EN61000-6-4, emitted interference , EN 61000-6-2, noise immunity

MECHANICAL CHARACTERISTICS

Housing	Aluminium
Shaft	Stainless Steel
Lifetime	Dependent on shaft version and shaft loading
Maximum number of revolutions permitted mechanically	12000 rpm
Shaft inertia	\leq 30 g.cm ²
Starting Torque	\leq 2 N cm
Maximum load permitted on shaft	Axial 20 N, Radial 80 N
Protection	IP 65
Shock resistance	\leq 100 g (during 6 ms) (IEC 68-2-27)
Vibration resistance	\leq 10 g (10... 2 000 Hz) (IEC 68-2-6)
Weight	350 g

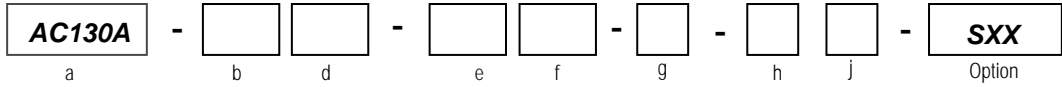
CONNECTION AND OUTPUT SIGNALS

Signal	Cable	CC M12 Pin
GND	white	1
UB+	brown	2
Clock +	green	3
Clock -	yellow	4
Data +	grey	5
Data -	pink	6
Preset	blue	7
Direction	red	8
Shielding	shielding	housing



8 Pin M12 Connector Male

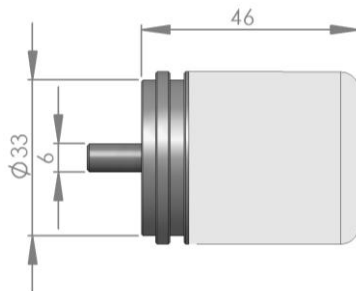
ORDERING CODE



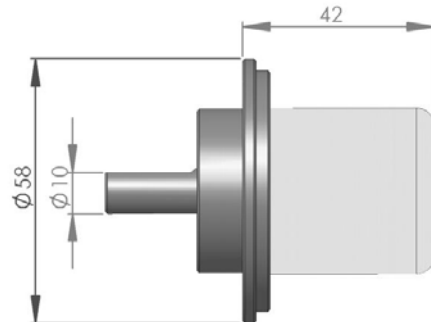
- | | |
|---------------------------------------------------------------------------------------------------------------------------------------------------------------------------------------------------------------------------------------------------------------------------------------------|-----------------------------------------------------------------------------------------------------------------------------------------------------------------------------------------------------------------------------------------------------------------------------------------|
| <p>a Series
Absolute Encoder</p> <p>b Shaft Type/ Flange
2C=Solid shaft, Clamp
2S=Solid shaft, Synchro
5B=Blind Hollow shaft</p> <p>d Shaft size
Solid Shaft: 6,10 mm
Blind Hollow shaft: 6 mm</p> <p>e Power Supply
5 = 5-30 V</p> | <p>f Interface
SG = SSI, Gray
SB = SSI, Binary</p> <p>g Nb of Turns / Resolution
0012 0412 1012
0013 1212 1213</p> <p>h Connector Location
1=Axial
2=Radial</p> <p>j Connection
6= 2m Cable (standard)
8= M12 Connector</p> |
|---------------------------------------------------------------------------------------------------------------------------------------------------------------------------------------------------------------------------------------------------------------------------------------------|-----------------------------------------------------------------------------------------------------------------------------------------------------------------------------------------------------------------------------------------------------------------------------------------|

MECHANICAL DRAWINGS

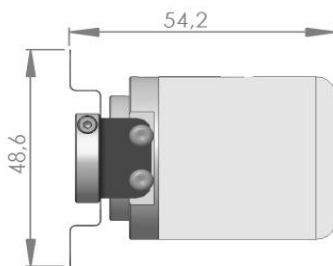
Synchro Flang, Cable exit 1m



Clamp Flange , Cable exit 1m



Blind hollow shaft/Hub shaft



Axial M12 Connector

