

ABSOLUTE ENCODER

- Robustness and excellent resistance to shocks / vibrations
- High protection level IP65, IP67 option with a sealing flange
- Isolated SSI interface, clock from 100 to 500 kHz
- Universal electronic circuits from 5 to 30Vdc
- Protection against short-circuits and inversion of polarity
- High resolutions available: 18Bits ,Turn counting up tp 18Bits.
- High performances in temperature -40°C to 85°C



ELECTRICAL CHARACTERISTICS

Power supply	5 – 30Vdc
SSI Clock Input	RS-422 Compatible via
SSI Date Output	Line-driver according to RS422
Clock Frequency	100kHz...2MHz
Cycle time (single t urn)	< 1 s
Turn On Time	< 25 µs
Power consumption	Max 1.5 w
Precision	± 1/2 LSB (up to 12 Bit), ± 2 LSB (at 16 Bit)
EMC	EN61000-6-4,emitted interference ,EN 61000-6-2,nosie immunity

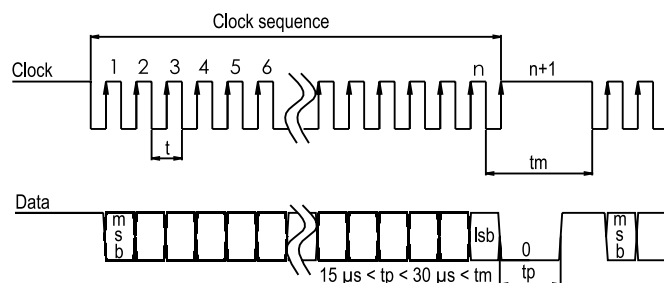
MECHANICAL CHARACTERISTICS

Housing	Aluminium
Shaft	Stainless Steel
Bearings	6000 series
Maximum number of revolutions permitted mechanically	12000 rpm
Shaft inertia	≤ 30 g.cm ²
Starting Torque	≤ 3 N.cm
Maximum load permitted on shaft	Axial 40 N,Radial 100 N
Protection	IP 65
Operating Temperature	-40...+85° C
Storage Temperature	-40...+85° C
Shock resistance	≤ 100 g (during 6 ms) (IEC 68-2-27)
Vibration resistance	≤ 20 g (10... 2 000 Hz) (IEC 68-2-6)
Weight	520g

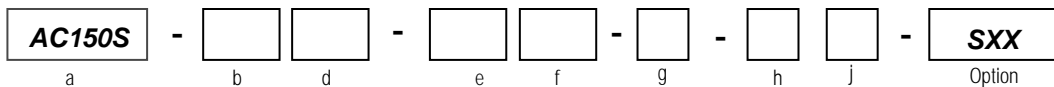
CONNECTION AND OUTPUT SIGNALS

Signal	Cable	CC M12pin
Clock -	Yellow	1
Clock +	Green	2
Data +	Grey	3
Data -	Pink	4
Direction	Red	5
+Ub= 10-30V	Brown	8
GND	White	11
Preset	Black	12
Shielding	shielding	housing

SSI TRANSMISSION



ORDERING CODE



a Series

Absolute Encoder

b Shaft Type/ Flange

2C=Solid shaft, Clamp
 2S=Solid shaft, Synchro
 5B=Blind Hollow shaft
 5H=Hollow shaft

d Shaft size

Solid Shaft: 6,8,10 mm
 Blind Hollow shaft: 15 mm
 Hollow shaft: 8,10,12 mm

e Power Supply

5 = 5-30 V

f Interface

SG = SSI, Gray
 SB = SSI, Binary

g Nb of Turns / Resolution

0010	1212	1312
0012	1213	1416
0013	1214	Option
0016	1216	

h Connector Location

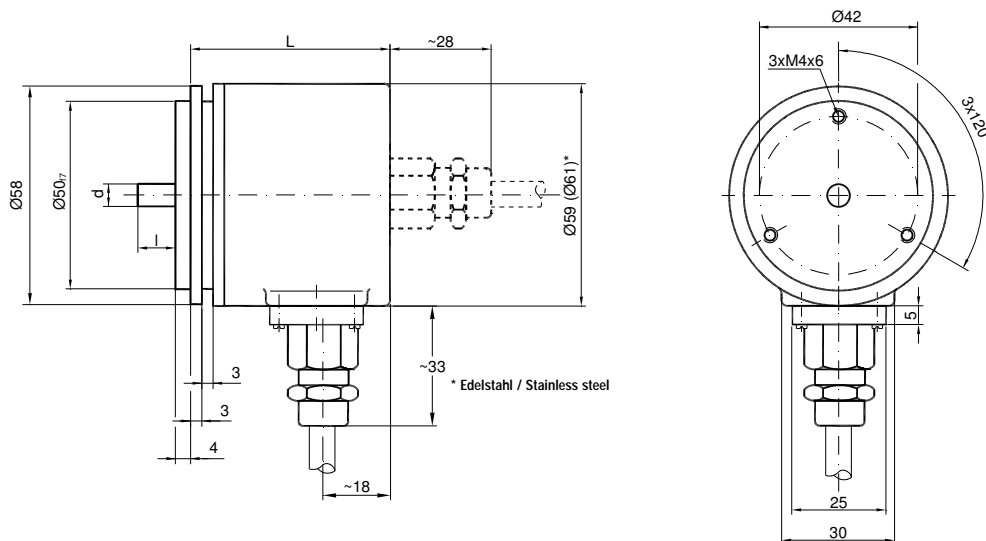
1=Axial
 2=Radial

j Connection

6= 2m Cable (standard)
 8= M23 Connector

MECHANICAL DRAWINGS

Synchro Flang (s) Cable exit 1m (Cable= 8mm)



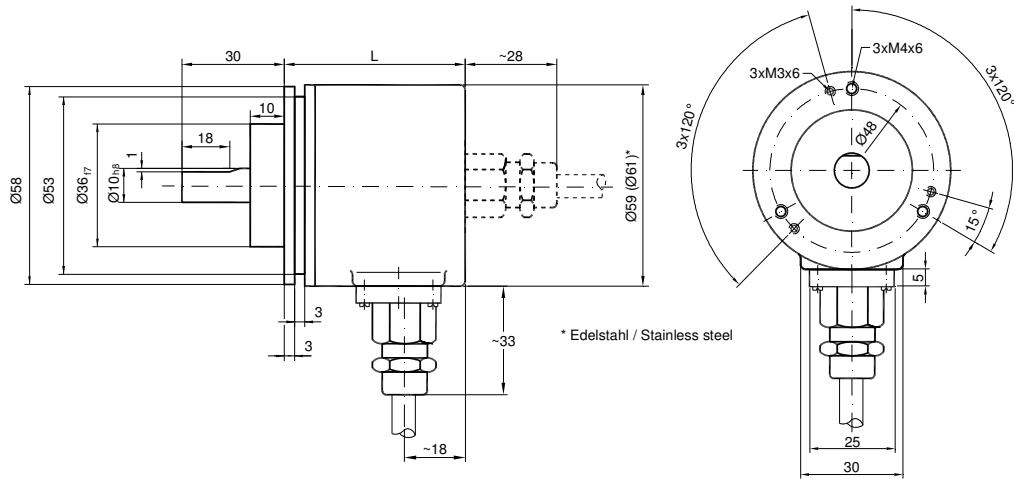
12 pol.Connector (for 6-9mm, stainless steel drawing on request)

Synchro Flange	d / mm	l / mm
Version S06	6 _{f6}	10
Version S10	10 _{h8}	20

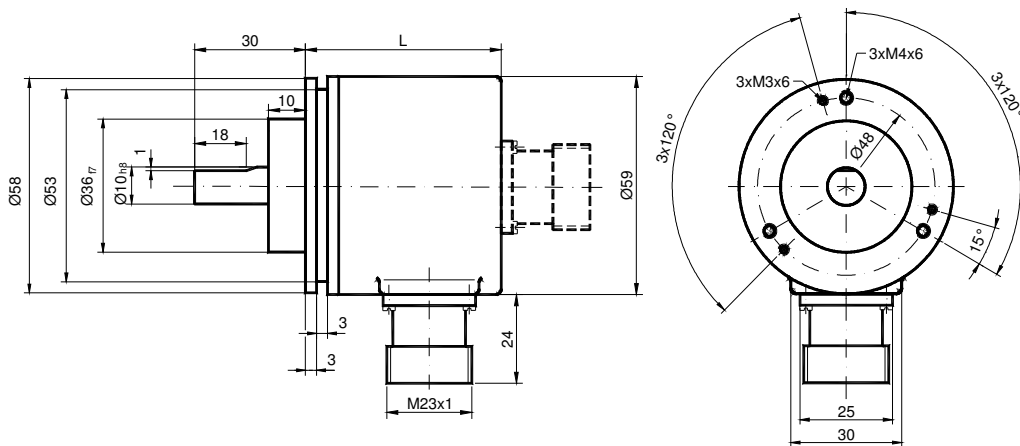
		L (mm)
Single-Turn	Axial	42
	Radial / Axial*	53
Multi-Turn	Axial	53
	Radial	53

MECHANICAL DRAWINGS

Clamp Flang (s) Cable exit 1m (Cable= 8mm)



Clamp Flang 12 pol.Connector

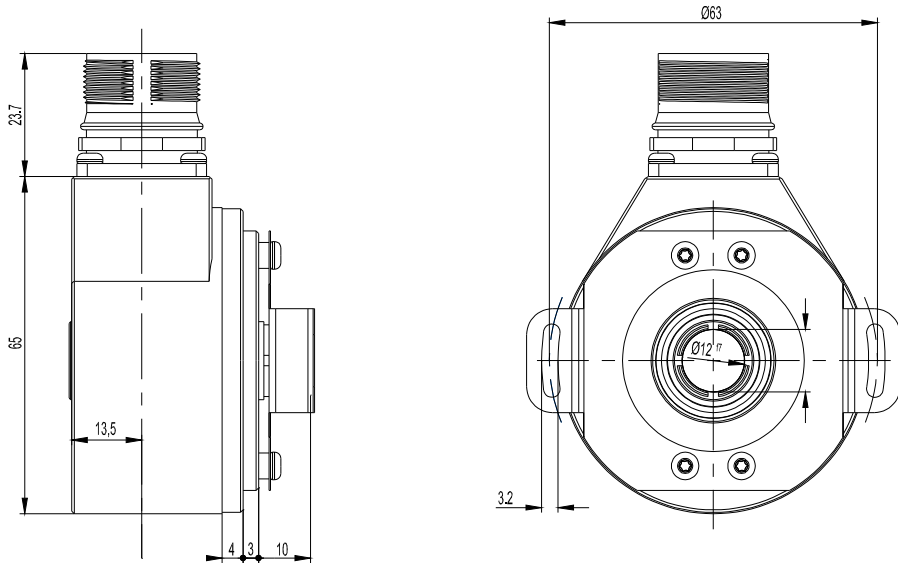


Synchro Flange	d / mm	l / mm
Version S06	6 _{f6}	10
Version S10	10 _{h8}	20

		L (mm)
Single-Turn	Axial	42
	Radial / Axial*	53
Multi-Turn	Axial	53
	Radial	53

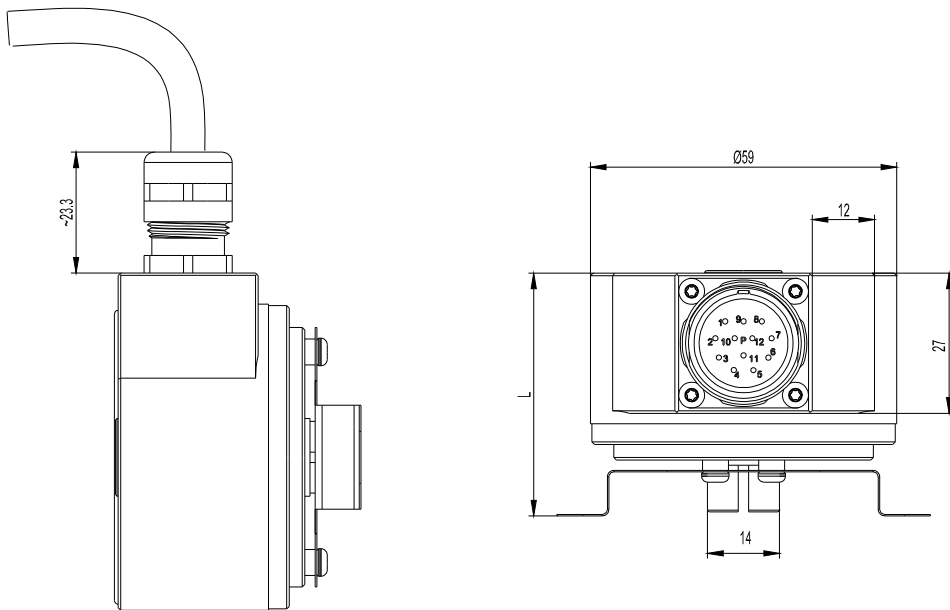
MECHANICAL DRAWINGS

Hollow shaft , M23 connector Radial

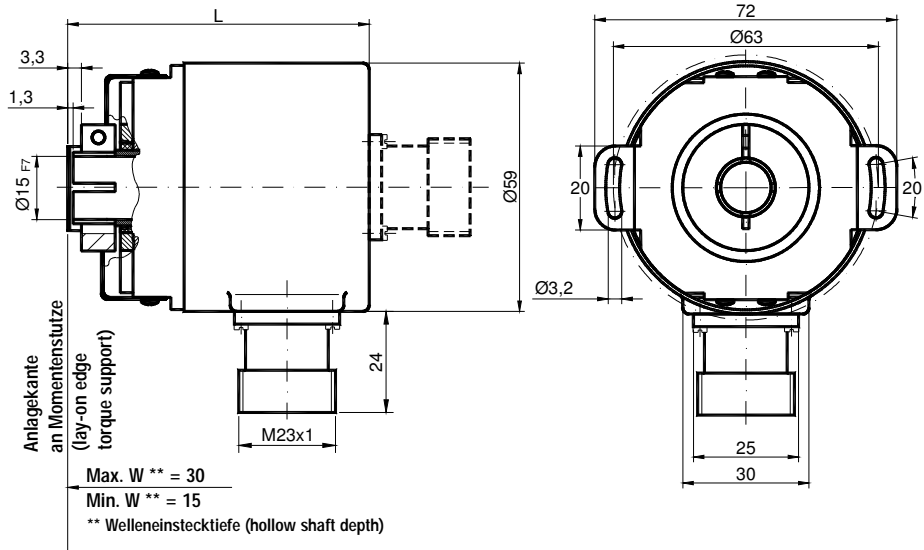


Hollow shaft , cable exit Radial

	L (mm)
Single-Turn	47
Multi-Turn	60



Blind hollow shaft , M23 connector Radial



		L (mm)
Single-Turn	Axial	42
	Radial / Axial*	53
Multi-Turn	Axial	53
	Radial	53