

## ABSOLUTE ENCODER



- Profibus encoder-30mm through shaft version
- 5 to 30 Vdc power supply
- Excellnet resistance to shocks/vibrations and to extreme axial/radial loads
- Protection against short-circuits and inversion of polarity
- High protection level IP65
- High resolutions up to 13 Bits ,Turns counting up to16 Bits
- High performances in temperature -20°C to 85°C

### MECHANICAL CHARACTERISTICS

Housing	Aluminium
Shaft	Stainless Steel
Bearings	6000 series
Maximum number of revolutions permitted mechanically	6000 rpm
Shaft inertia	≤ 55 g.cm <sup>2</sup>
Starting Torque	≤25 N.cm
Maximum load permitted on shaft	Hollow shaft:Axial 50 N,Radial 80 N
Protection	IP 65
Operating Temperature	-20...+85° C
Storage Temperature	-20...+85° C
Shock resistance	≤ 500m.s <sup>-2</sup> (during 6 ms) (IEC 68-2-27)
Vibration resistance	≤ 100m.s <sup>-2</sup> (10... 2 000 Hz) (IEC 68-2-6)
Weight	1.2kg

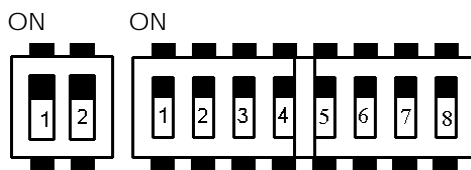
### ELECTRICAL CHARACTERISTICS

**Power supply:** : 5-30V consumption <200 mA (160mA typ).

**Transmission frequency:** from 9.6Kbaud to 12Mbaud.

**Electronic interface:** opto-isolated RS 485.

**Address:** permits the addressing of each encoder in an installation (32 master stations or slaves stations per segment without repetitor, 127 maximum with repetitor).



Address: 0 to 126 (Binary code)

End line resistance termination: 1, 2 "ON"  
(Beginning or end line)

Switch - on "ON" =	1	2	3	4	5	6	7
	1	2	4	8	16	32	64

Switch 8 on "OFF"

Example: Adress 5: Switch 1 & 3 on "ON", other on "OFF".

### PARAMETRES PROGRAMMABLES

**Direction:** Permits the definition of the counting direction of the encoder (CW or CCW) following its mechanical position.

**Resolution:** the number or points per turn can be between 0 and 8192.

**Global resolution(MAX RANGE):** Total number of codes of the encoder (2 to 536 870 912).

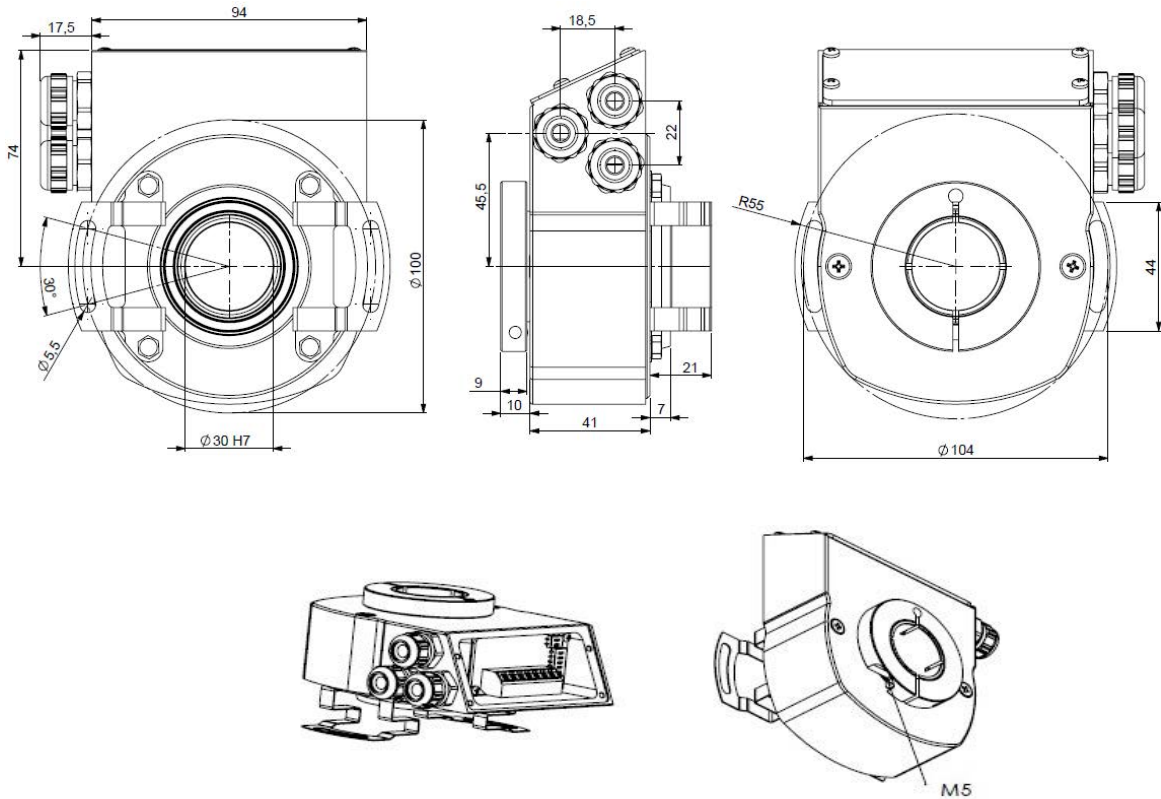
**Reset:** defines the value of its actual position.

**Time base:** defines the base time for the speed calcul.

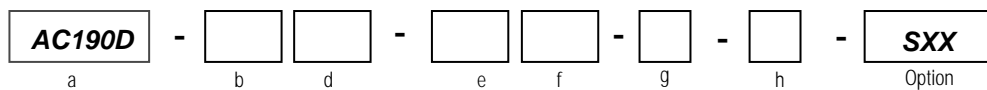
## ABSOLUTE ENCODER

### MECHANICAL DRAWINGS

Terminal box -- with spring mounted on bearing housing



### ORDERING CODE



**a Series**

Absolute Encoder

**b Shaft Type/ Flange**

5H=Hollow shaft

**d Shaft size**

Hollow shaft: 20,25,30 mm

**e Power Supply**

5 = 5-30 V

**f Interface**

DB =Profibus-DP, Binary

**g Nb of Turns / Resolution**

0010	1212	1312
0012	1213	Option

**h Connection**

8=Terminal Box,Radial