

ABSOLUTE ENCODER



- Especially designed for heavy-duty Industry.
- 11mm & 12mm solid shaft or Hollow shaft up to 30mm.
- Excellent resistance to shocks/vibrations and to extreme axial/radial loads
- Protection against short-circuits and inversion of polarity
- High resolutions available: 13 Bits , Turn counting up to 12 Bits.
- High performances in temperature -20°C to 85°C

ELECTRICAL CHARACTERISTICS

Power supply	11 – 30Vdc
SSI Clock Input	per optp-coupleur
SSI Data Output	Line-driver according to RS422
Clock Frequency	100kHz...500kHz
Cycle time (single turn)	< 1 s
Turn On Time	< 25 μs
Consumption without load	100mA max
Precision	± 1/2 LSB (up to 13 Bit)
EMC	EN61000-6-4, emitted interference ,EN 61000-6-2, noise immunity

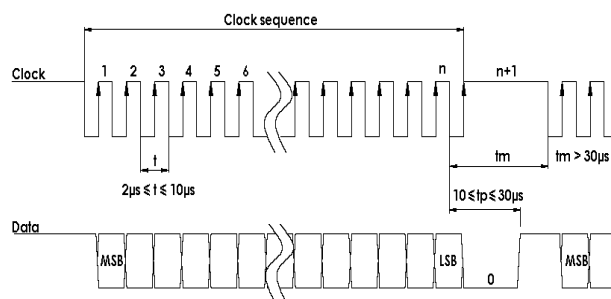
MECHANICAL CHARACTERISTICS

Housing	Aluminium
Shaft	Stainless Steel
Bearings	6000 series
Maximum number of revolutions permitted mechanically	6000 rpm
Shaft inertia	≤ 55 g.cm ²
Starting Torque	≤ 25 N.cm
Maximum load permitted on shaft	Hollow shaft: Axial 50 N, Radial 80 N; Full shaft: Axial 100 N, Radial 200 N
Protection	IP 65
Operating Temperature	-20...+85°C
Storage Temperature	-20...+85°C
Shock resistance	≤ 500m.s ⁻² (during 6 ms) (IEC 68-2-27)
Vibration resistance	≤ 200m.s ⁻² (10... 2 000 Hz) (IEC 68-2-6)
Weight	0.7kg

CONNECTION AND OUTPUT SIGNALS

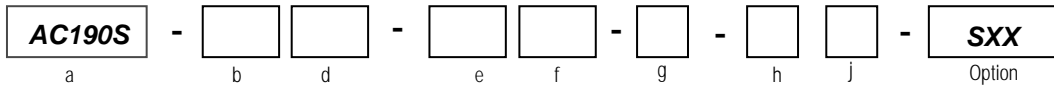
Signal	Cable	CC M23
Clock +	Green	3
Clock -	Yellow	7
Data +	Grey	4
Data -	Pink	6
Direction	Red	9
+Ub=10-30V	Brown	1
GND	White	2
Preset	Blue	5
Shielding	shielding	housing

SSI TRANSMISSION



ABSOLUTE ENCODER

ORDERING CODE



a Series

Absolute Encoder

b Shaft Type/ Flange

2C=Solid shaft, Clamp
 2S=Solid shaft, Synchro
 5H=Hollow shaft

d Shaft size

Solid Shaft: 11,12 mm
 Hollow shaft: 20,25,30 mm

e Power Supply

5 = 11-30 V

f Interface

SG = SSI, Gray
 SB = SSI, Binary

g Nb of Turns / Resolution

0010 1212 1312
 0012 1213 Option

h Connector Location

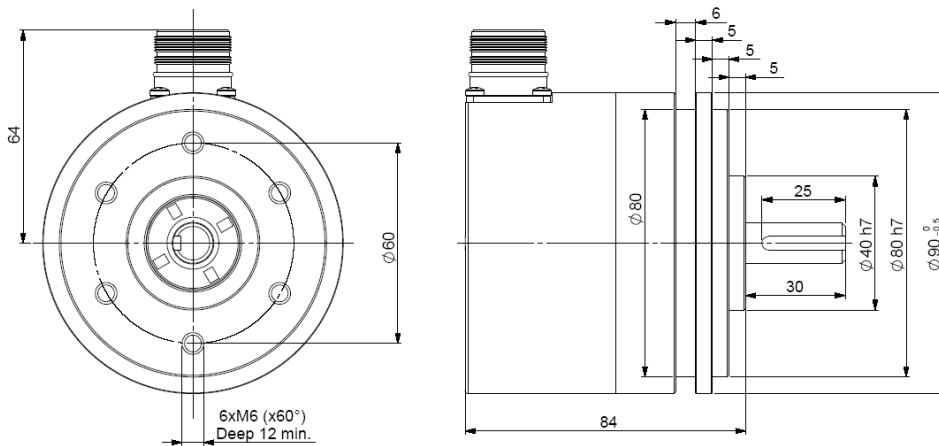
1=Axial
 2=Radial

j Connection

6= 2m Cable (standard)
 8= M23 Connector

MECHANICAL DRAWINGS

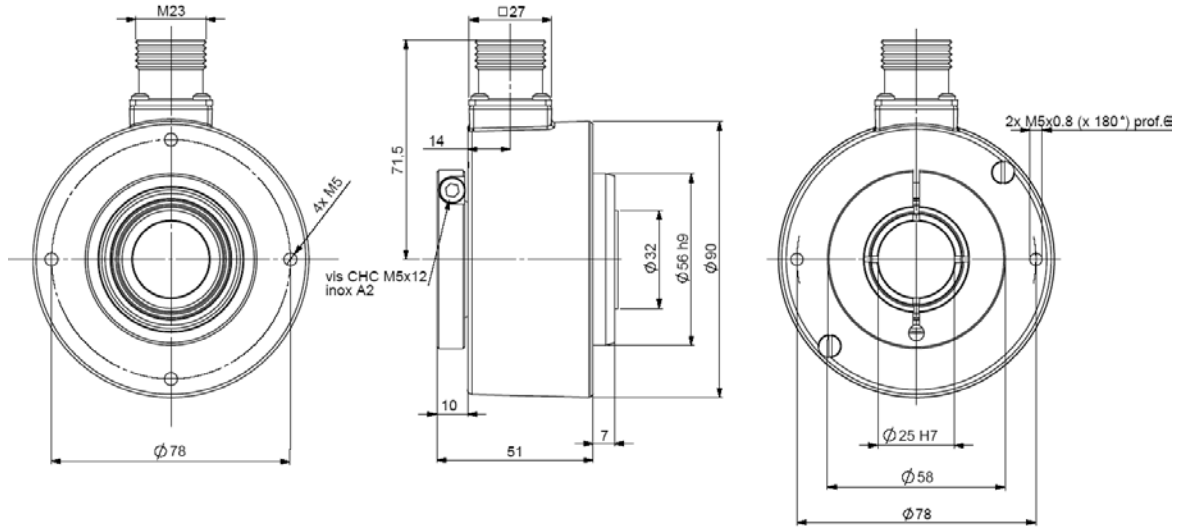
Solid Shaft Clamp Flange (s) M23 Connector exit



ABSOLUTE ENCODER

MECHANICAL DRAWINGS

Through Hollow shaft , M23 connector Radial



Through Hollow shaft , Cable Outlet Radial

